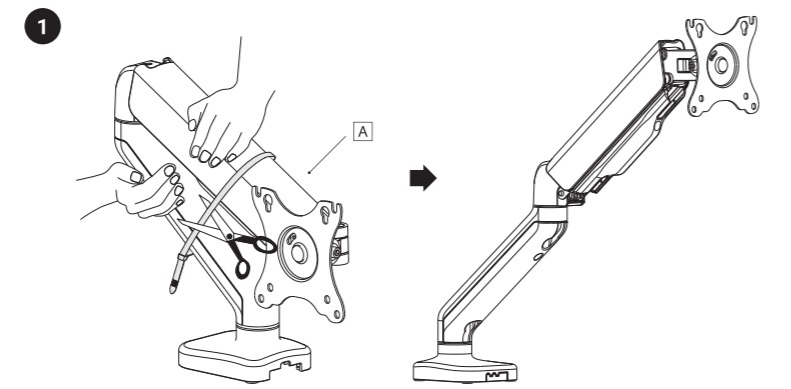


SILVER MONKEY

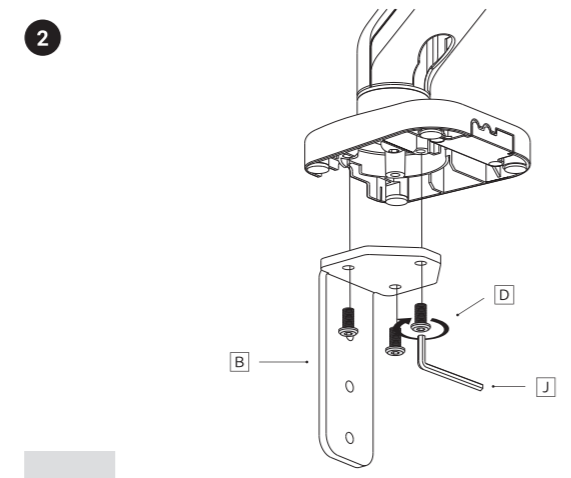
- EN User Manual
- PL Instrukcja Obsługi
- DE Bedienungsanleitung
- FR Manuel D'utilisation
- NL Gebruiksaanwijzing
- IT Manuale D'uso
- ES Manual de Instrucciones
- CZ Uživatelská Příručka
- SK Návod na Používanie
- RO Instrucțiuni de Utilizare

UM-600

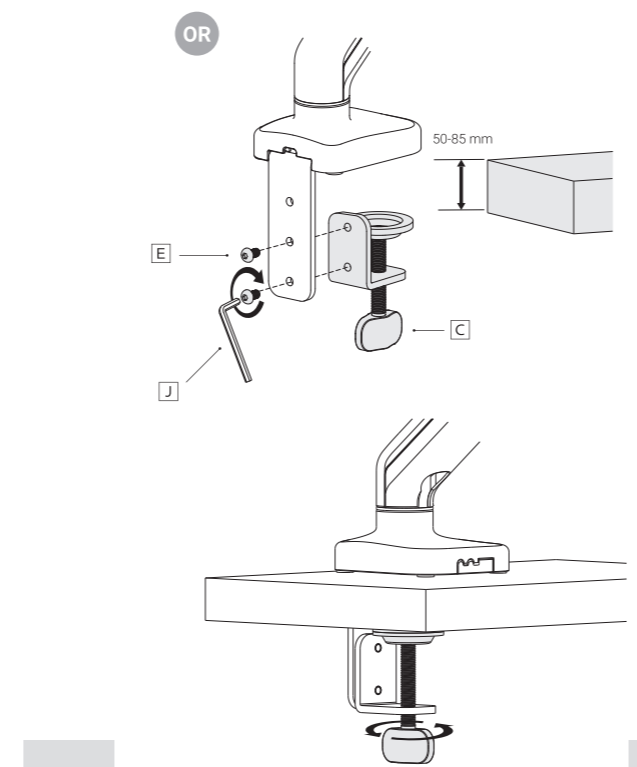
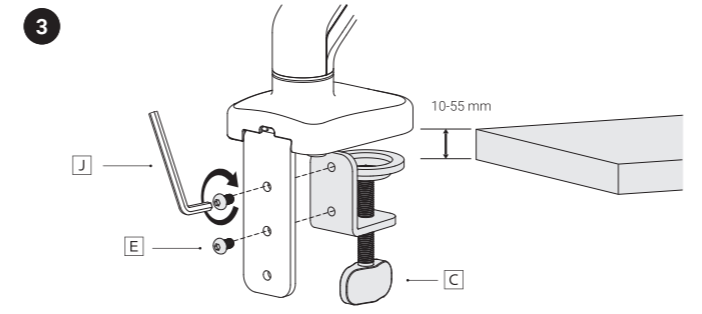
Manual version 1/20220715



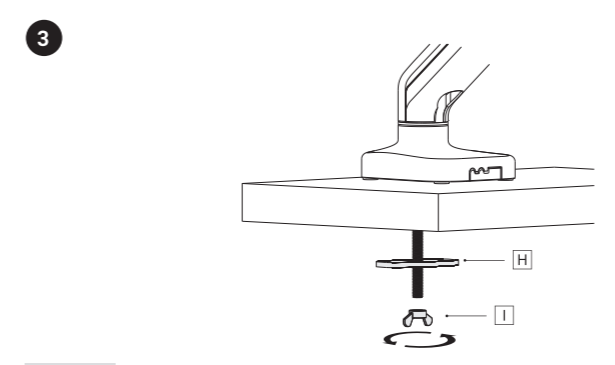
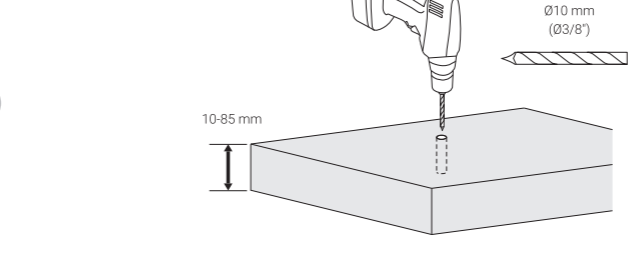
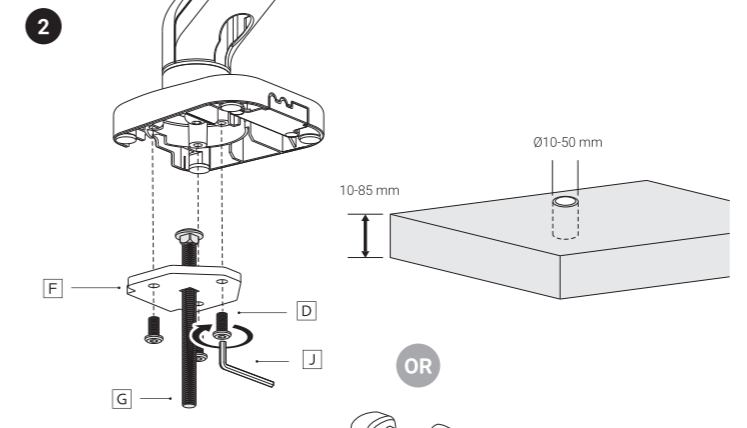
⚠ WARNING: Stored energy hazard!
 -Firmly hold the two halves of the spring arm together and have another person cut off the cable tie from around the spring arm.
 -Slowly release the pressure on the spring arm and allow it to gradually stretch to its full extension.



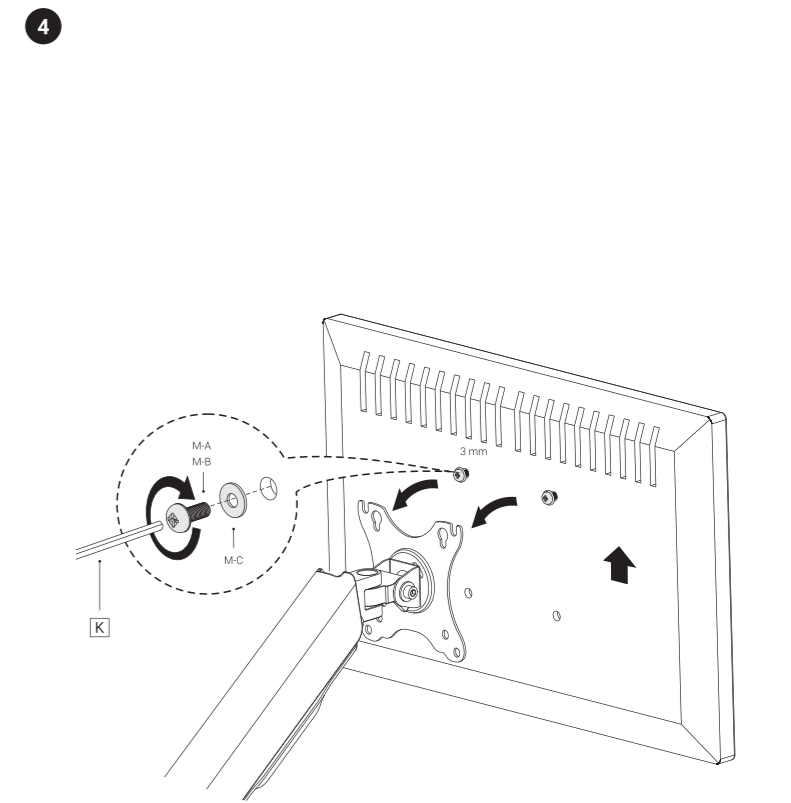
01 Clamp Mounting



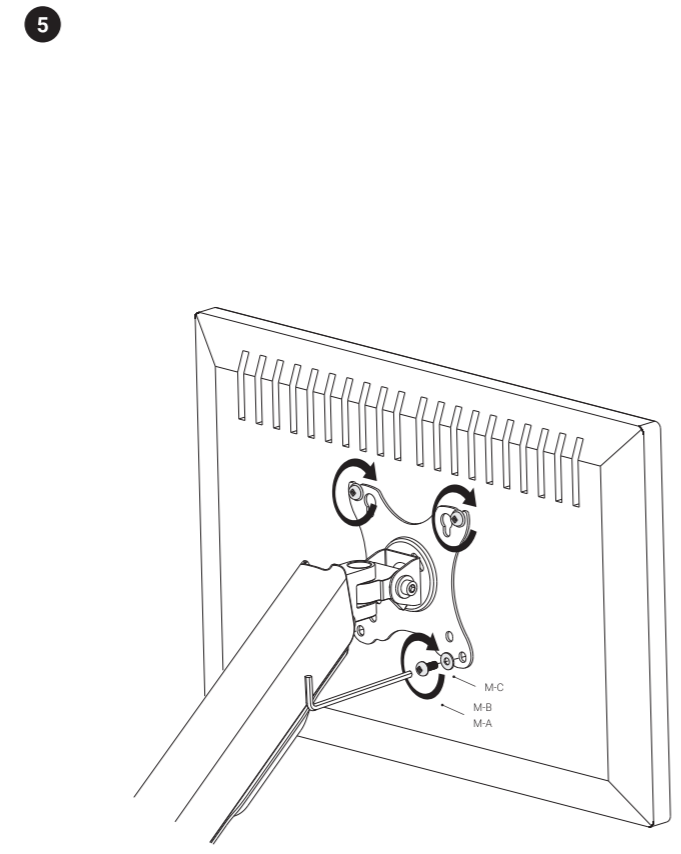
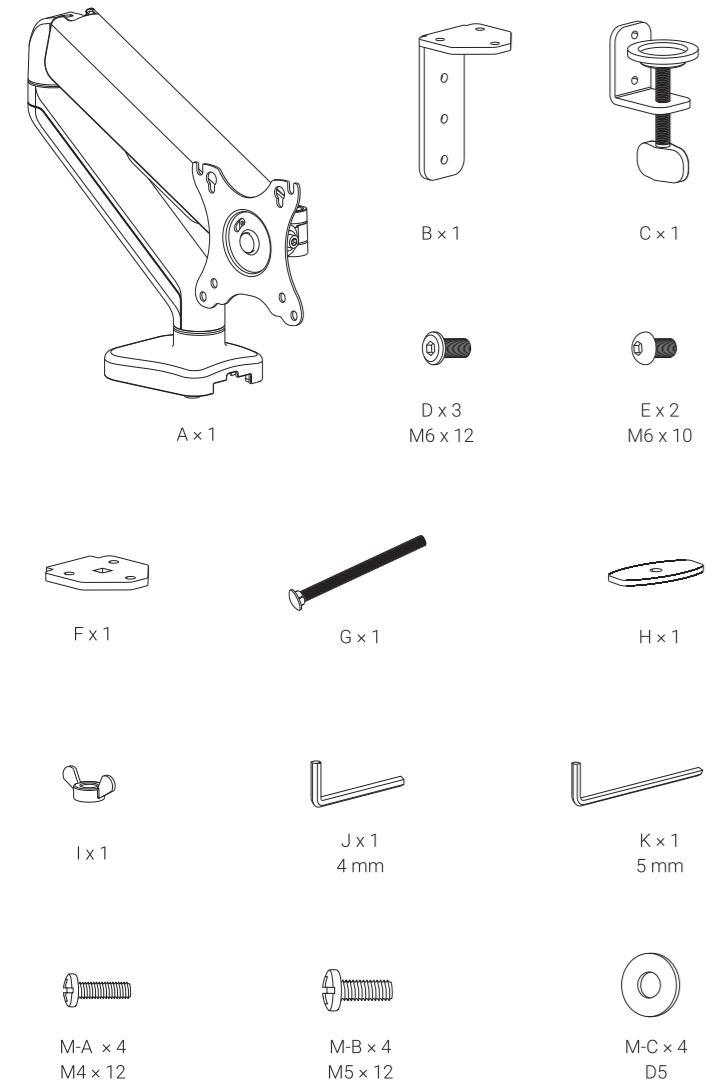
02 Clamp Mounting



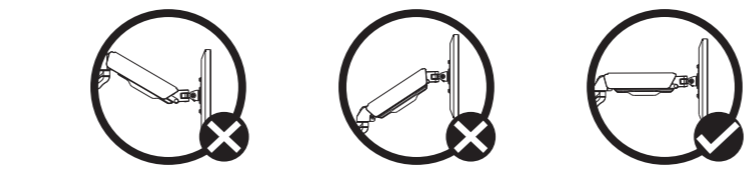
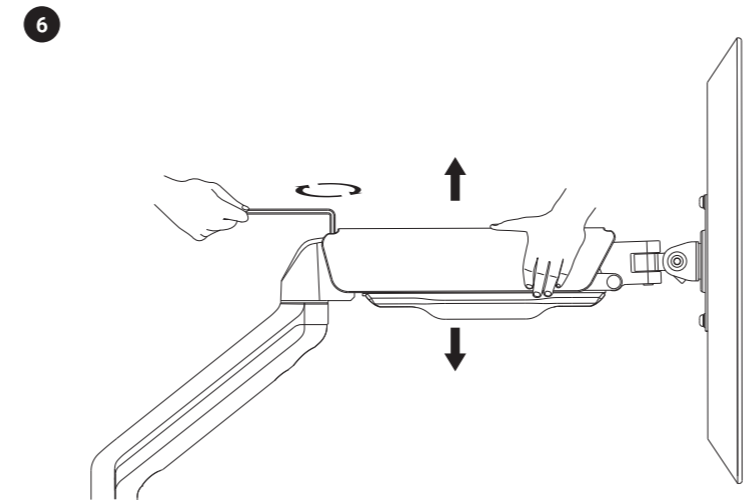
03 Grommet Mounting



04 Screen Mounting

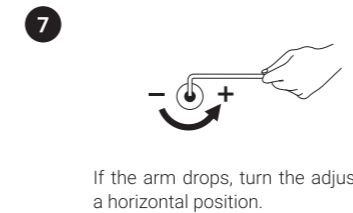


05 Screen Mounting

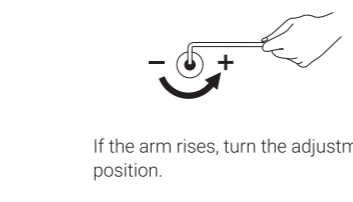


⚠ To avoid damage to monitors or mount, always keep the arm in a horizontal position while making adjustments. Again, ask for assistance if required.

06 Screen Regulation

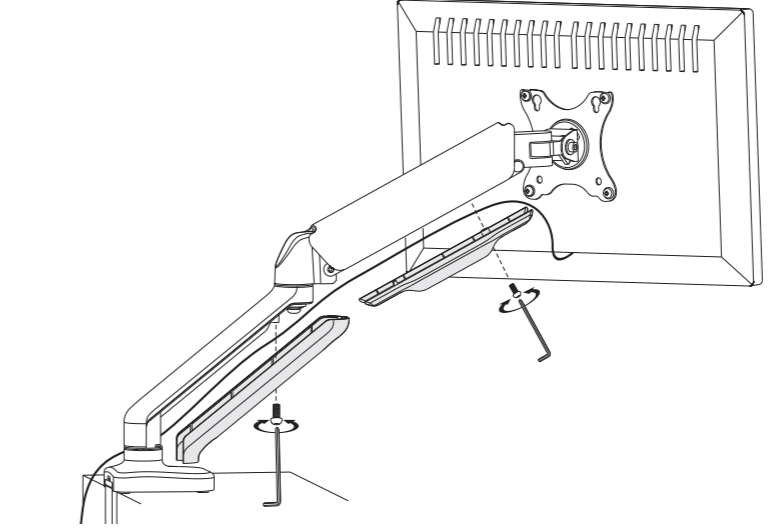


If the arm drops, turn the adjustment screw counter-clockwise until it stays in a horizontal position.

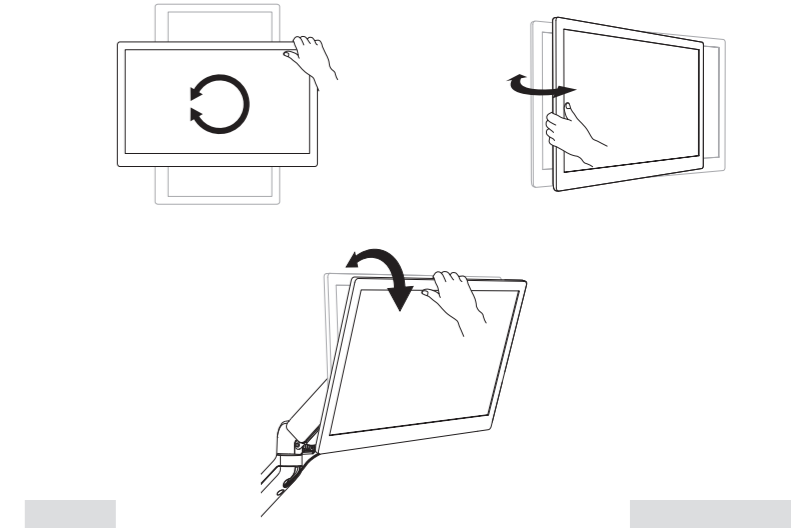
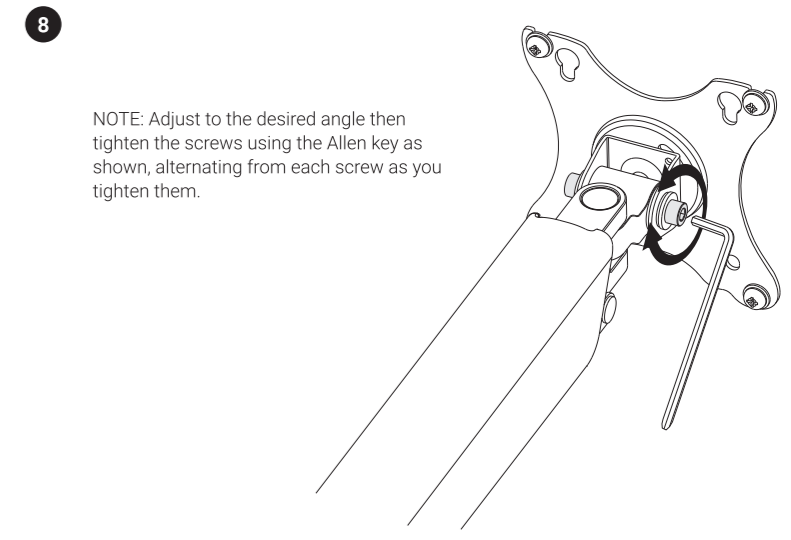


If the arm rises, turn the adjustment screw clockwise until it stays in a horizontal position.

⚠ DO NOT over tighten the screws.



07 Screen Regulation



08 Screen Regulation

